

# SOLENOID BELL



## Overview

ACOUSTIC SIGNALS - INDUSTRIAL - SOLENOID ECONOMY BELL

The Economy Bell series has been designed to be used in light commercial and industrial applications, where intermittent audible signalling is required in a localised area. These traditional type Bells produce their distinctive sound by means of a hardened striker powered by a solenoid, repeatedly striking the inside edge of the metal Gong thus producing a loud and clear ringing tone.

The Bells can be mounted on any flat surface utilising either the four mounting holes that are incorporated into the body of the casting, or the universal mounting plate and gasket (supplied as standard) offering multiple fixing location options.

## Features

- Economical
- Gong size 150mm / 6"
- Distinctive sound
- Die-Cast construction
- Universal mounting plate
- Supplied with 150mm flying leads
- Available in 24vDC or 230vAC

## Material

- Steel Gong
- Aluminium Body



IP44



100dB (A) @ 1m



ON 15 MIN | OFF 20 MIN



Intermittent



-20 to +45°C



50/60Hz

## APPROVALS & CONFORMITIES

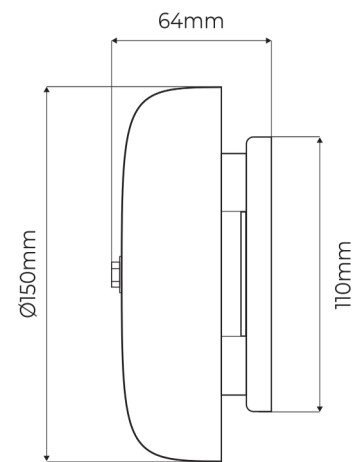
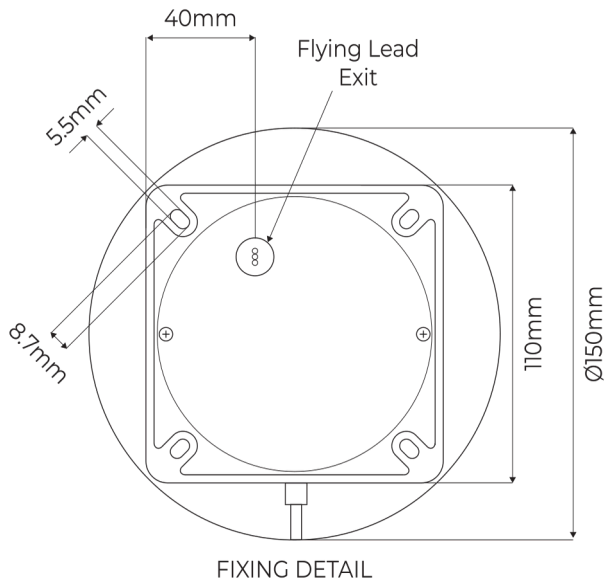


## Ordering Information

Voltage	Ordering Information	Mode & Current Consumption
Nominal Voltage	Product Code	Intermittent
24vDC	24DC	100mA @24vDC
230vAC	230AC	40mA @230vAC

## Weights & Dimensional Drawings

Kg	24v	230v
Net Weight	0.790	0.790
Gross Weight	1.100	1.100



## APPROVALS & CONFORMITIES

